

FLOAT & BOARD TANK GAUGE - 'FBG'

It is an economical, easy to install for liquid level indication in bulk storage tanks under low pressure condition. It is assembled at site by the user.



Innovating Level Controls Since 1984

Salient Features :

- ☑ Durable aluminium powder coated gauge board (white) with black graduations & numerals.
- ☑ Level Indication in 'cms' and accurate to 5mm.
- ☑ Option of half travel scale.
- ☑ Option of Seal pot for fuming liquids.
- ☑ Option of one or two adjustable switches with potential free contacts.

Construction & Operation :

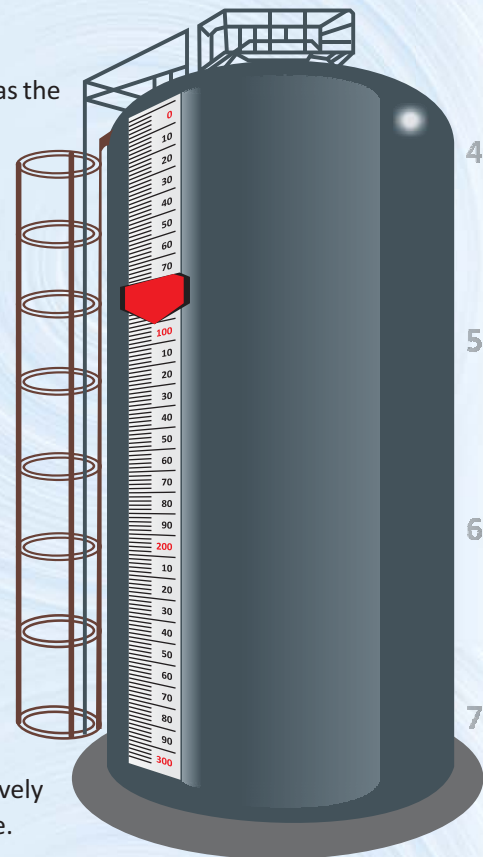
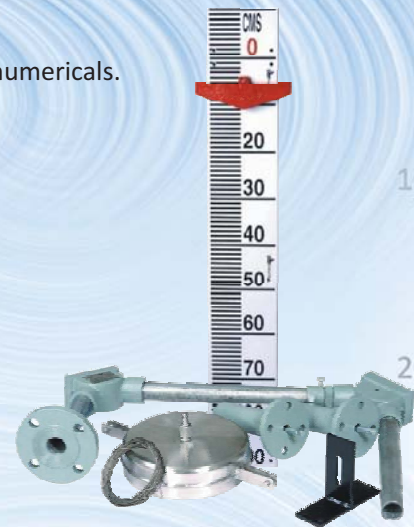
1) Guided : (Fig 1 overleaf) It consists of a float connected to a pointer through a rope via a set of pulleys. The pointer with nylon roller guides smoothly over a calibrated gauge board, positioned parallel to the tank. The float accurately follows liquid level variations in vertical direction. The horizontal float movement is restricted by two guide wires firmly anchored to tank bottom. As such, the pointer is in 'TOP POSITION' when tank is 'EMPTY' and in 'BOTTOM POSITION' when 'FULL'. Pointer indicates 'Level'.

The gauge board is supplied in 1mtr sections and multiple gauge boards are connected through gauge brackets as per ordered measuring range.

Applications : Liquid storage tanks upto 15 mtrs having moderate turbulence

2) Unguided : Construction is similar to (1), except guide wires are not provided, as the horizontal float movement is negligible.

Applications : Liquid storage tanks upto 3 mtrs having minimum turbulence

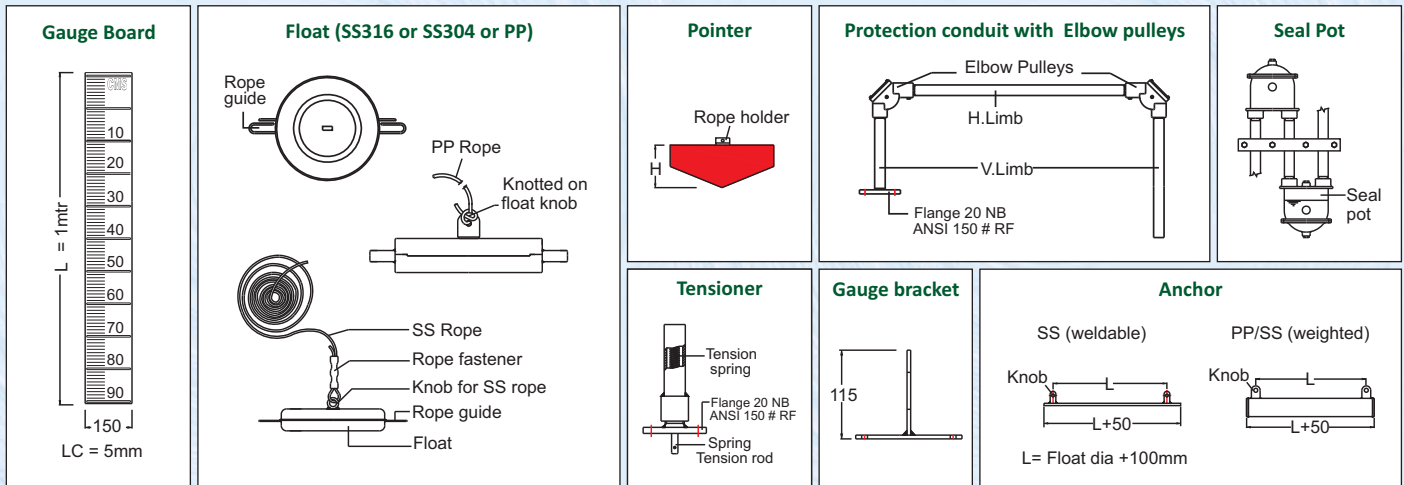


Specifications

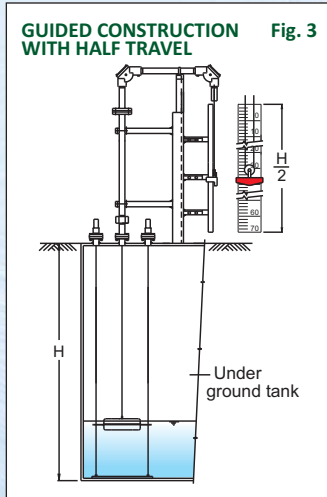
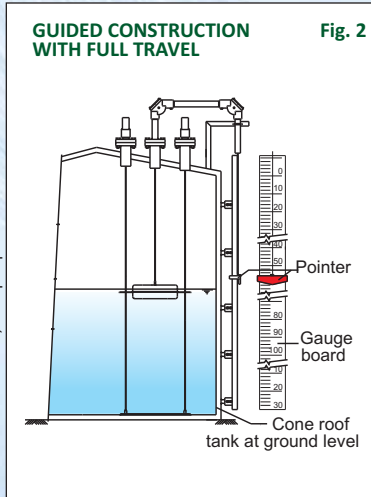
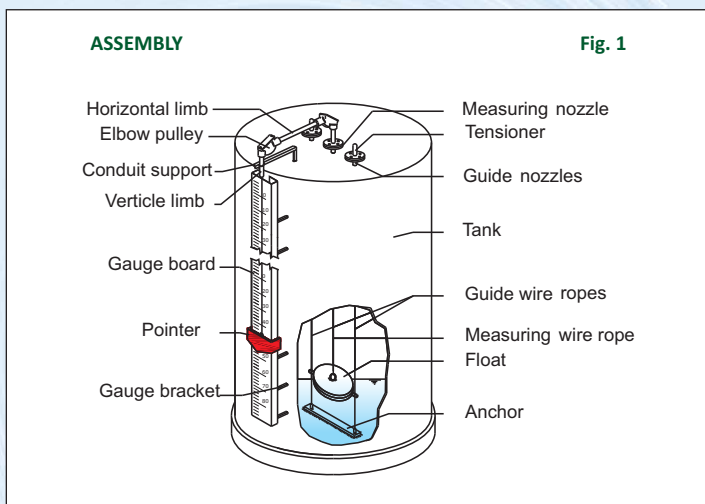
Construction	1. Guided	2. Unguided									
Measuring Range	Guided	7.5 mtrs. with Ø200mm float 15 mtrs. with Ø350mm float									
	Unguided	3mtrs. with Ø200mm float									
Travel	: Full or Half corresponding to range.										
Least Count	: 5 mm										
Max Temperature	: 80°C (PP) / 150°C (SS)										
Max Pressure	: Atm										
Float	: SS304/SS316/PP - Ø200mm & Ø350mm										
Float/Guide Wire Rope	: SS304/SS316 x Ø1.6mm (multi strand) , PP x Ø3mm (multi strand)										
Calibrated Gauge Board	: 6" wide x aluminium powder coating with black graduations & numerals.										
Pointer	: Red powder coated steel with measuring rope holder Height 60mm / 80mm for 7500 / 15000 range respectively										
Protection Conduit	: Vertical & horizontal limb in galvanized steel or PP pipe. V limbs - 20NB x 285& 195mm (2 nos) H limb - 20NB x 650mm long (1 no) - (Telescopic arrangement (optional) for metallic MOC)										
Elbow pulley	: Cadmium plated steel or PP pulley with PTFE bush and ss shaft housed in weatherproof aluminium or PP enclosure.										
Tensioner	: Cadmium plated steel spring housed in CS or PP enclosure.										
Anchor	: 1. Weldable - SS304/SS316 plate (25mmx6mm thk) 2. Weighted - SS304/SS316 pipe (Ø33mm) or PP pipe (Ø50mm)										
Rope Fasteners	: SS304 / SS316										
Gauge Brackets	: Powder coated steel										
Adjustable S/W	: Microswitch - 5A, 250VAC (SPDT) in ABS enclosure (IP65)										
Seal pot	: <table border="1"> <thead> <tr> <th>MOC</th> <th>mmWC</th> <th>Vol. of sealant oil (our scope)</th> </tr> </thead> <tbody> <tr> <td>Al</td> <td>50</td> <td>200ml</td> </tr> <tr> <td>CS or SS</td> <td>200</td> <td>1 Ltr</td> </tr> </tbody> </table>		MOC	mmWC	Vol. of sealant oil (our scope)	Al	50	200ml	CS or SS	200	1 Ltr
MOC	mmWC	Vol. of sealant oil (our scope)									
Al	50	200ml									
CS or SS	200	1 Ltr									

Note : PP seal pot is filled with water for fuming acidic services

10
20
30
40
50
60
70
80
90
100

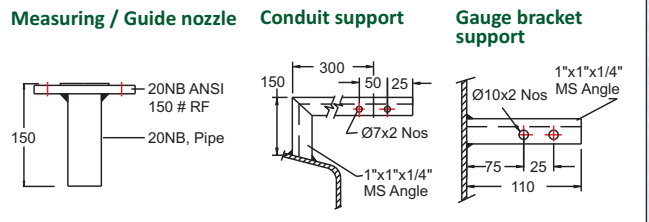


Installation :



All dimensions in mm, except specified.

Components to be fabricated by 'User' :



Model Identification no.: FBG or FBG (H)

Construction

Guided _____
 Unguided _____

Float Dimensions

SS304 x Ø200mm _____
 SS304 x Ø350mm _____
 SS316 x Ø200mm _____
 SS316 x Ø350mm _____
 PP x Ø200mm _____
 PP x Ø350mm _____

Seal Pot

50mm WC _____
 200mm WC _____
 Without _____

Switch Assembly

Adjustable Microswitch x 1 _____
 Adjustable Microswitch x 2 _____
 Without _____

Installation

Ground Level Tank _____
 Under Ground Tank (Sump) _____
 Overhead Tank _____

FBG : Full travel scale. FBG(H) : Half travel scale.

	RANGE (mm)	
Guided	G	
Unguided	U	
SS304 x Ø200mm	N1	
SS304 x Ø350mm	N2	
SS316 x Ø200mm	S1	
SS316 x Ø350mm	S2	
PP x Ø200mm	P1	
PP x Ø350mm	P2	
50mm WC	1	W
200mm WC	2	W
Without		W
Adjustable Microswitch x 1		1
Adjustable Microswitch x 2		2
Without		W
Ground Level Tank		G
Under Ground Tank (Sump)		U
Overhead Tank		H

FBG can be installed on tank "when empty" or "in service"

Additional Information to be provided :
 Range x Service liquid x Temp. x Pressure

Pune Techtrol Pvt Ltd

Regd. Off. : S-18, MIDC, Bhosari, Pune - 411026. India
 Works : J-52/7, MIDC, Bhosari, Pune - 411026. India
 Tel. : +91-20-66342900, 27121052
 Fax : +91-20-66342998
 E-mail : ho@punetechtrol.com
 Web : www.punetechtrol.com
 Custom built specs./options available on demand.



R A T E D
 NSIC-CRISIL SE1A

We reserve the right to modify design and specifications without prior notice.

Area Representative / Distributor :

CAT/0006/Rev-06/01-14