

Techtrol Microcontroller Loop Powered Indicator - 'TLPI'



SINCE 1984

is an advanced and sophisticated microcontroller based 2 wire Loop Powered Indicator with LED/LCD display It works on 4-20mA input current from x'mitter

FEATURES :

- Accuracy $\pm 0.25\%$ of FSD
- 4 digit LED/LCD display
- Display in %, mm & mtrs
- Reverse Voltage Protection
- Easy programming with push buttons
- Offset facility to compensate field error

CONSTRUCTION & OPERATION :

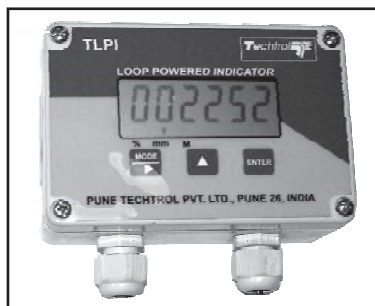
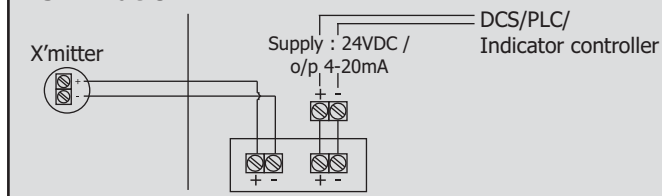
The electronic circuitry is housed in wall mounted ABS / AI enclosure. It operates on 4-20mA input DC signal and gives precise indication in percentage of range or any desired engg. units. The Indicator display can be calibrated to display any linear variable represented by 4-20mA signal viz Level.

SPECIFICATIONS :

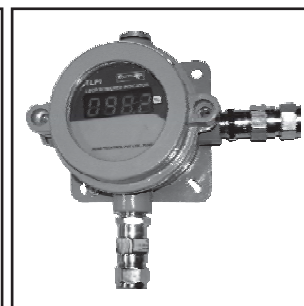
Input	: 4 - 20 mA
Range	: 0 to 9999
Indication	: 4 digit LED/LCD display
Accuracy	: $\pm 0.25\%$
Loop Voltage drop	: <5 VDC
Mounting	: Wall
Terminals	: Suitable for 1.5mm ² conductor
Amb Temp	: 60°C
Humidity	: Below 95% Rh non condensing
Enclosure	: 1) MOC : ABS Protection : W. proof IP-65 Size : 80 x 120 x 55 Ht 2) MOC : Cast AI Protection : Ex-proof Gr IIA&IIB Size : 145 x 145 x 100Ht

Conduit Connection : PG 9 x 2nos - WP enclosure
: 1/2"NPT x 2nos - Ex proof enclosure

Termination :

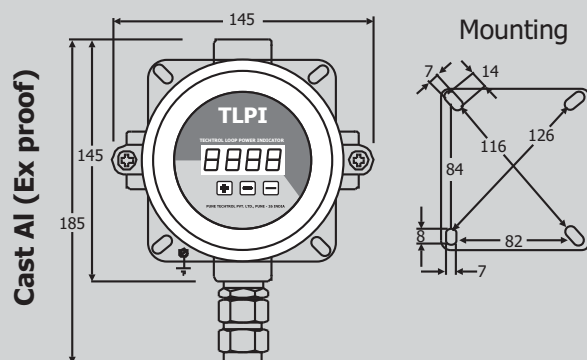
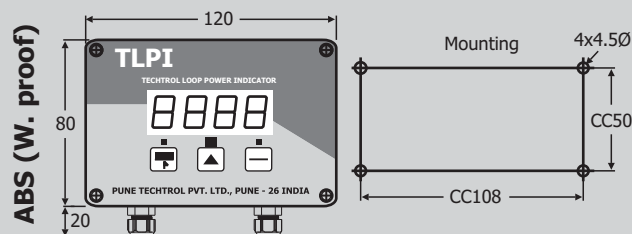


ABS (W-proof)



Cast AI (Ex proof)

Dimensions



MODEL IDENTIFICATIONS :

MODEL NO. TLPI

Indication

LED	_____	1
LCD	_____	2

Enclosure

W Proof IP 66	_____	J
Ex Proof Gr IIA & IIB	_____	E

All dimensions in mm, except specified.

PUNE TECHTROL PVT LTD

S-18, MIDC, Bhosari, Pune - 411026. India

+91-20-66342900, 27121052

+91-20-66342998

ho@punetechtrol.com www.punetechtrol.com



R A T E D
NSIC-CRISIL SE-1A

AREA REPRESENTATIVE / DISTRIBUTOR :